

CARSON®

MagniFlex™

LED Lighted Flexible-Arm Magnifier



CL-65

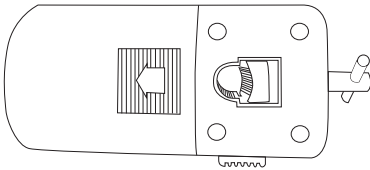
Congratulations on selecting your new MagniFlex! In order to achieve optimum performance, please follow instructions for proper use and care.

PRODUCT SPECIFICATION:

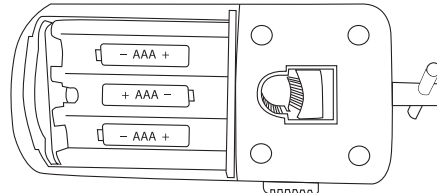
Magnification:	2x / 3.5x	Batteries:	3 AAA (not included)
Lens Diameter:	110mm (4.3")	Weight:	1.5 lbs
Flexible Neck Length:	Approx. 11"	Dimensions:	24.0" x 4.0" x 2.0"
Illumination:	LED	Accessory:	C-clamp and 4.5v DC Adapter

INSTALLING BATTERIES:

1. Pull open battery door as shown on magnifier.



2. Insert 3 new AAA batteries in the correct polarity.
3. Replace battery door.

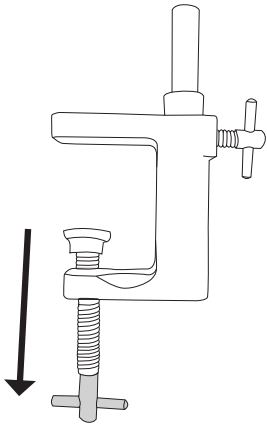


WARNING:

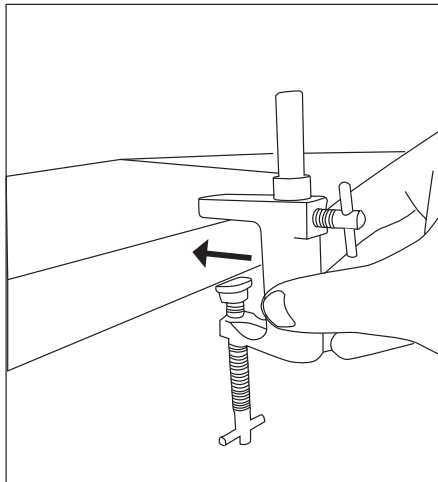
Use only alkaline batteries. Mixing old and new, different brands or types within brands may cause batteries to leak, overheat or explode. Keep away from fire or excessive heat. Inspect batteries for corrosion or leakage. Insert in direction indicated. Rechargeable batteries not recommended.

ATTACHING THE C-CLAMP:

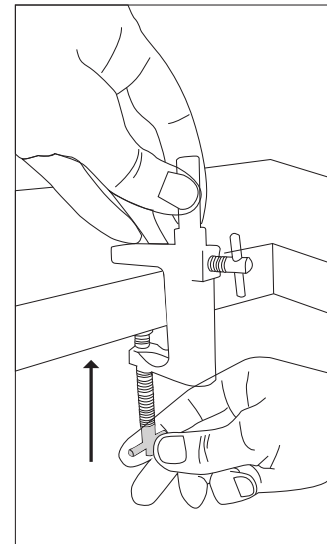
1. Twist the T-screw down to open.



2. Place the open C-clamp onto a desk or hard surface.

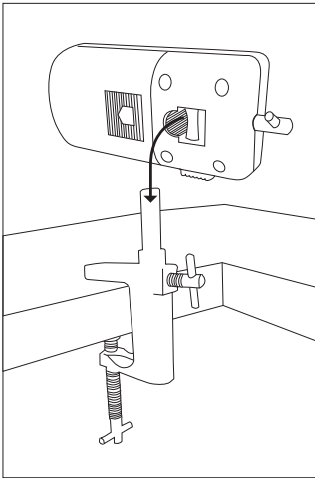


3. Once put in position, tighten T-screw to hold C-clamp in place.

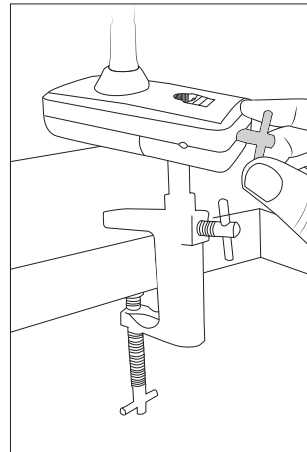


ATTACHING THE MAGNIFIER:

1. When C-clamp is secured, position the magnifier bottom side down on top of the C-clamp. See image below.

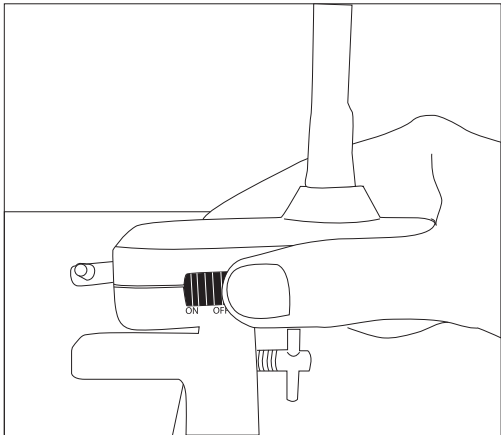


2. Twist the T-screw on the magnifier to tighten on C-clamp as shown below. Magnifier will be able to rotate 360°.



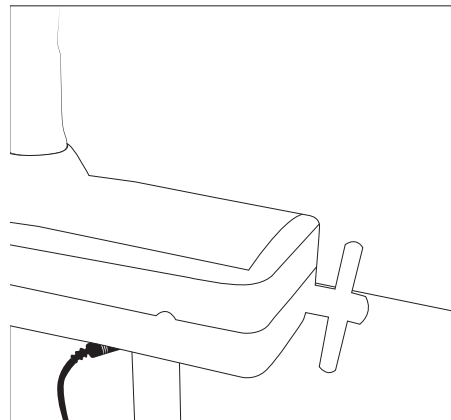
TURNING ON LED LIGHT:

Slide switch to turn ON or OFF.



USING THE 4.5V DC ADAPTER:

Batteries MUST be removed when using power cord. Connect power cord to port as indicated below.



Customer Service:

If you experience any difficulties, please contact us and we will be happy to help you.



✉ info@carson.com



✉ uksupport@carson.com



✉ eusupport@carson.com

For warranty information, visit www.carson.com/warrant

www.carson.com

Carson Optical 2070 5th Avenue, Ronkonkoma, NY 11779 | Tel: 631-963-5000